



<http://www.adsequip.com/>

Dental Light On A Cabinet or Wall Installation Guide

Copyrights

ADS makes no warranty of any kind with regard to this material , including but not limited to, the implied warranties of merchantability and fitness for a particular purpose. ADS shall not be held liable for any errors contained herein or any consequential or other damages concerning furnishing, performance or use of this material. The information in this document is subject to change without notice. If you find any problems in the documentation, please report them to us in writing. ADS does not warrant that this document is error-free.

No part of this document may be copied, reproduced, altered, or transmitted in any form or by any means, electronic or mechanical, including photocopying, recording, or by any information storage and retrieval system, without prior written permission from ADS.

The document is intended to be used in conjunction with the equipment.

Comments and feedbacks

Please contact us if you have any feedback and opinions on this document :

Add: 1590 S Milliken Ave., unit A, Ontario, CA 91761

Tel: (626) 620 0456

E-mail : sales@adsequip.com

<http://www.adsequip.com/>

Product service

If you want to get service information, please contact the local dealer authorized by ADS company.

Technical support tel : 800 488 9708

C O N T E N T S

1、 Safety Precautions Before Installation.....	1
2、 Product Packages.....	1
3、 Product Structure.....	2
4、 Product Installation.....	4
4.1 Preference collection cabinet	4
4.2 Wall-Mount cabinet	8
5、 Product Use Float.....	12

1、 Precautions Before You Begin



DANGER: Failure to turn off the power before you begin this procedure can lead to electrical shock.



WARNING: Failure to turn off the power before you begin this procedure can lead to product damage and result in serious injury or death.

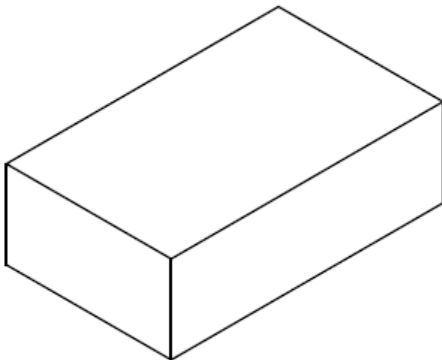


Cautions:

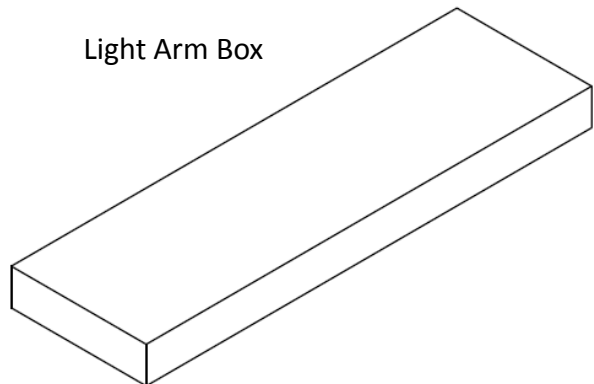
- Before installing the Midmark Cabinet/ Wall Light, ensure the physical room requirements outlined are met.
- Unit is shipped with a power cord and plug assembly. Wherever installation requires a power outlet, the outlet must be within 10 feet of wall or cabinet mounting.
- The circuit board is static sensitive. ESD precautions are required. The circuit board should be installed by an electrician or qualified service personal.
- Recommended height are based on personal preferences, the minimum ceiling height of 6.7 in.(171mm)min .All dimensions are based on a min.ceiling height of 8.5ft.(2581mm). For every one inch above 8.5 ft. drop the mounting one inch.
- Equipment is not suitable for use in the presence of a flammable anesthetic mixture.

2、 Product Packages

Dental Light Box

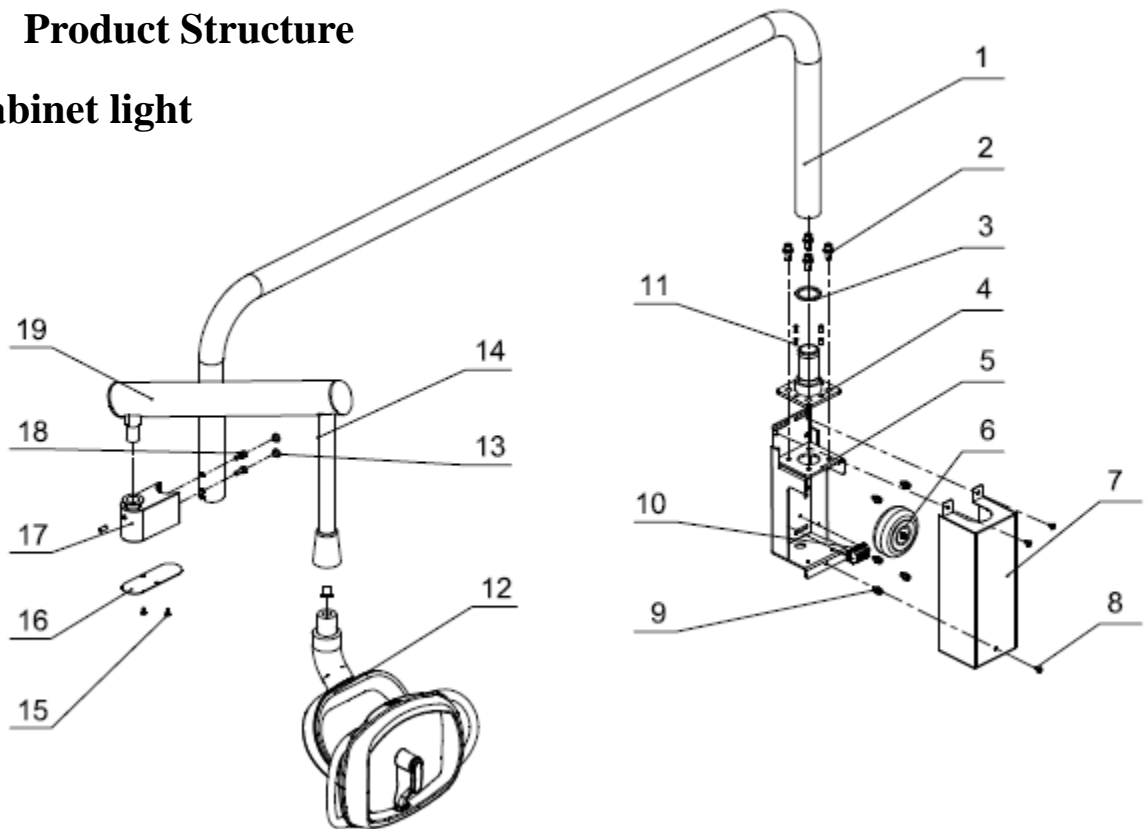


Light Arm Box



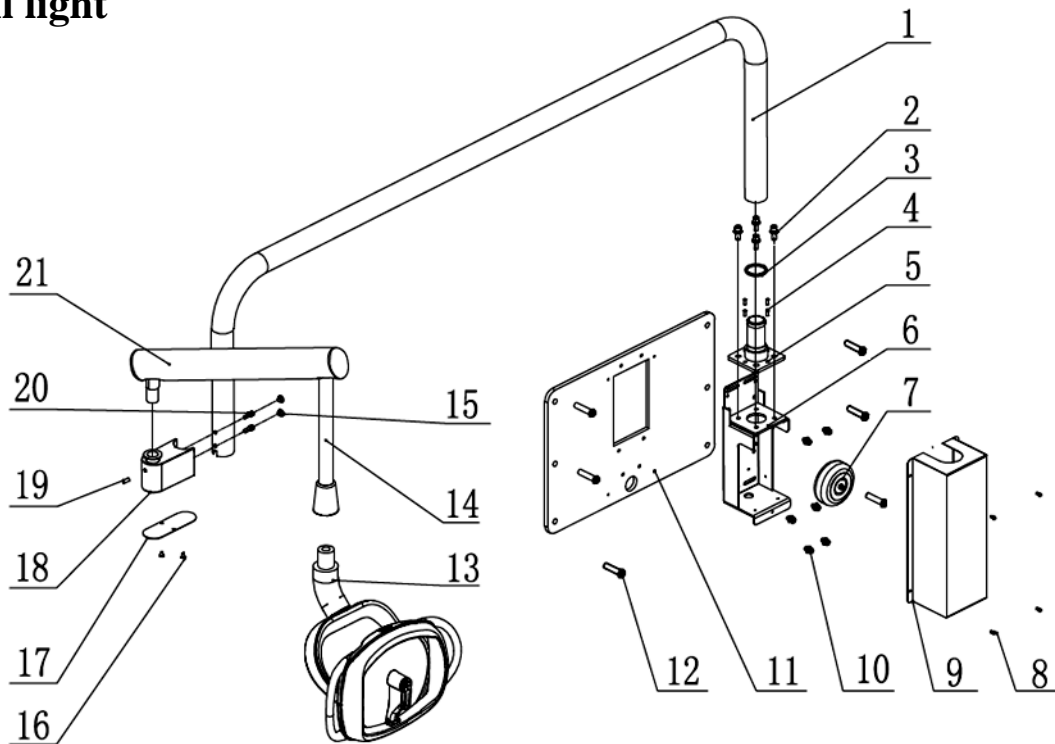
3、 Product Structure

Cabinet light



No.	Part number	Name	Number
1	8027082A	DL-5 light arm	1
2	8020848A	M8*20 Stainless steel screw	4
3	8027085A	DL-5φ42xφ35 flat pad	1
4	8027076A	DL-5-light support pillar	1
5	8027073A	DL-5 light power supply	1
6	8015226B	24V 30VA transformer	1
7	8027079A	DL-5 light power supply cover	1
8	8016762A	M4*6 Stainless steel screw	3
9	8024247A	M6*25 Stainless steel screw	4
10	8005587A	Gray four-channel plastic terminal with fixing lug	2
11	8013801A	M6*8 set bolt	4
12	8013552C	LED dental light	1
13	8011491A	Decoration cover	2
14	8017794A	350 light installation rod	1
15	8022177A	M4*12 Stainless steel screw	2
16	8023533A	Ceiling light balance arm fixed seat seal board	1
17	8023530A	Ceiling light balance arm fixed seat	1
18	8001738A	M6*16 Stainless steel screw	2
19	8017791B	Balance arm light arm (1.72Kg)	1

Wall light

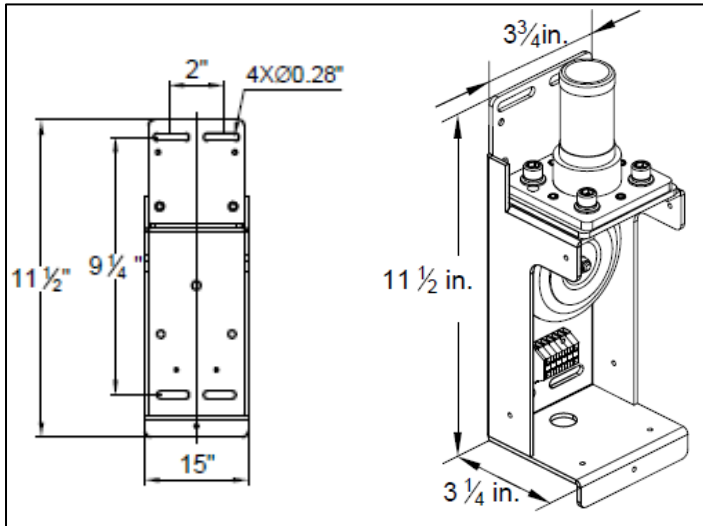


No.	Part number	Name	Number
1	8027082A	DL-5 light arm	1
2	8020848A	M8*20 Stainless steel screw	4
3	8027085A	DL-5φ42xφ35 flat pad	1
4	8013801A	M6*8 set bolt	4
5	8027076A	DL-5-light support pillar	1
6	8027073A	DL-5 light power supply	1
7	8015226B	24V 30VA transformer	1
8	8015112A	M4*6 Stainless steel screw	4
9	8028336A	DL-6 light power supply cover	1
10	8003757A	M6*12 Stainless steel screw	6
11	8028333A	DL-6 backboard	1
12	8017764A	M10*90 Explosion bolt	6
13	8020617A	LED dental light	1
14	8017794A	350 light installation rod	1
15	8011491A	Decoration cover	2
16	8016762A	M4*6 Stainless steel screw	2
17	8023533A	Ceiling light balance arm fixed seat seal board	1
18	8023530A	Ceiling light balance arm fixed seat	1
19	8013801A	M6*8set bolt	1
20	8001738A	M6*16 Socket head cap screws	2
21	8017791B	Balance arm light arm (1.72Kg)	1

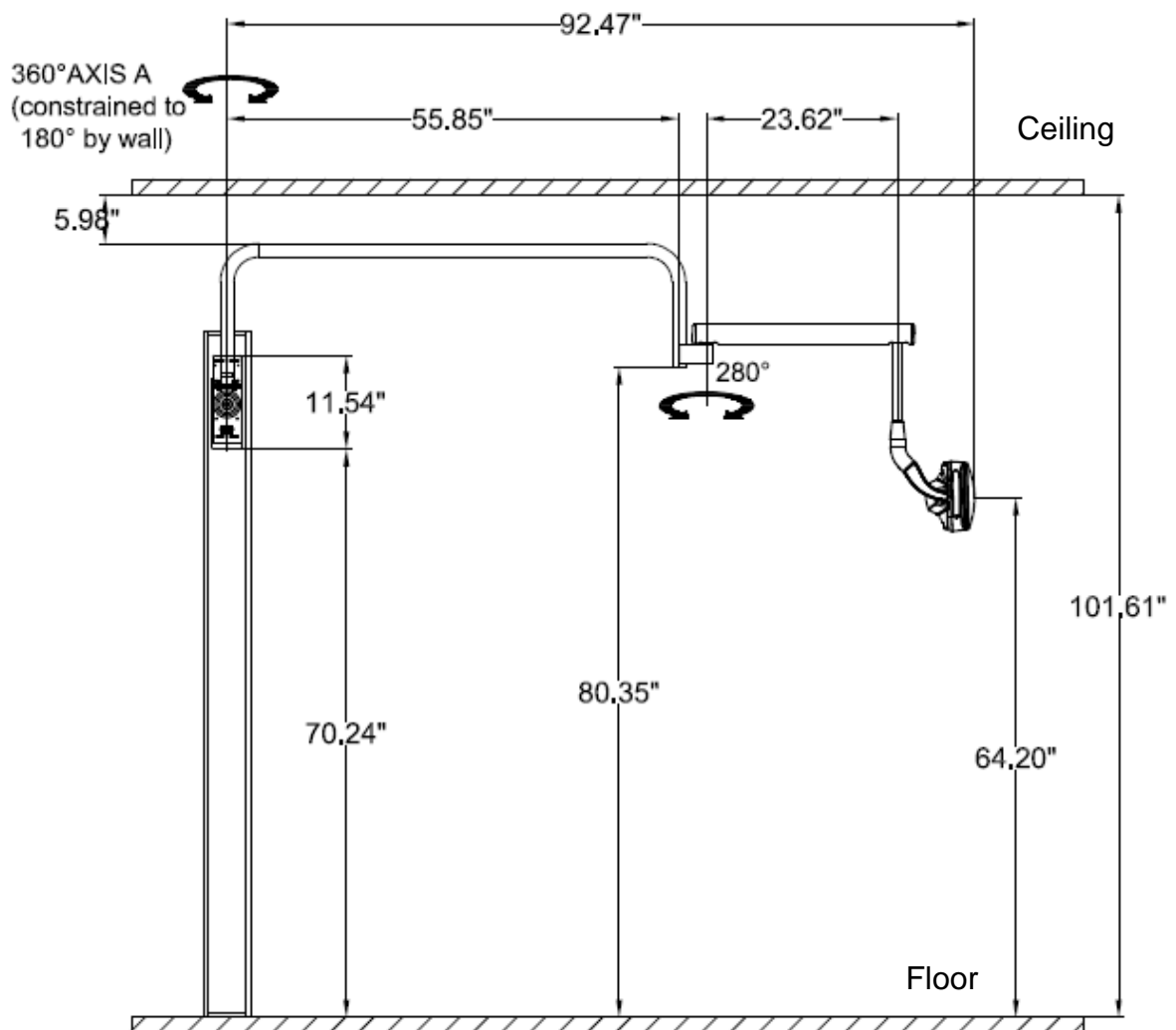
4 Product Installation

4.1 Preference collection cabinet

Unit:INCH

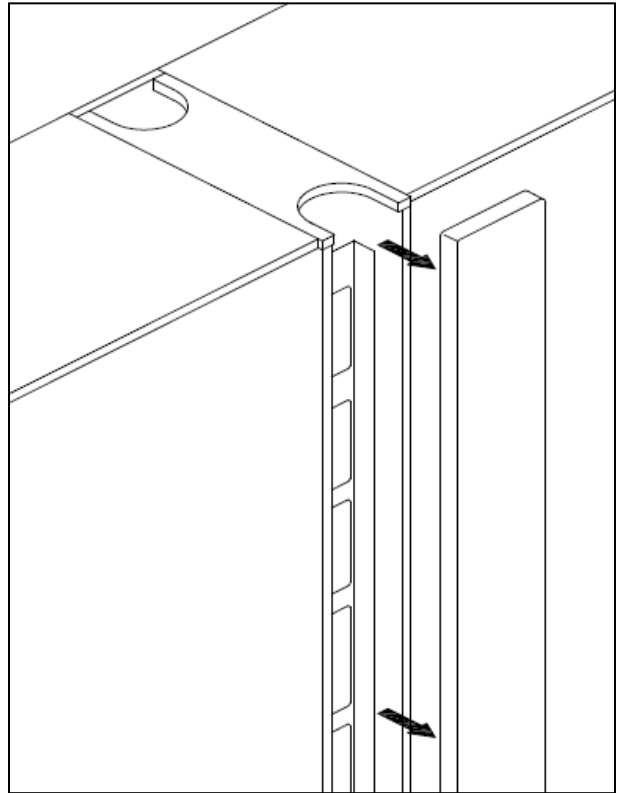


① Determine where to mount the backboard.

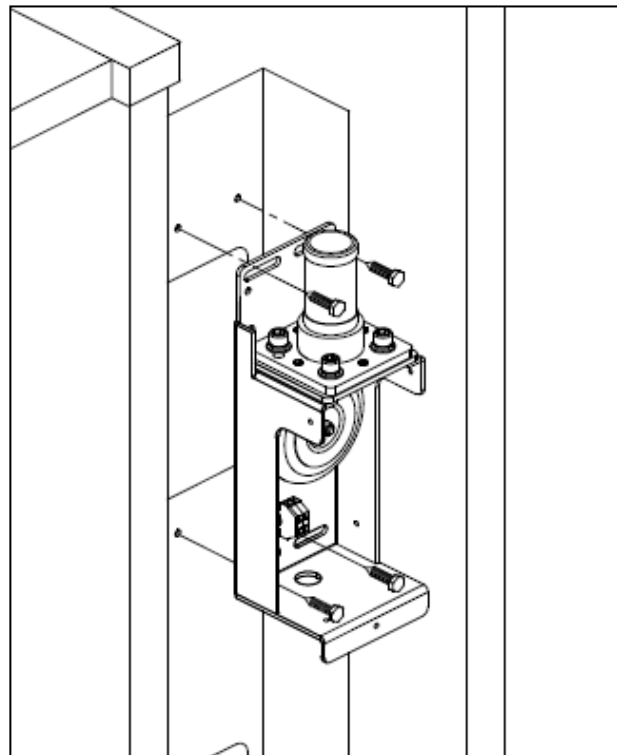


Dental Light On A Cabinet or Wall Installation Guide

- ② Pull the end cap out from the x-ray column.

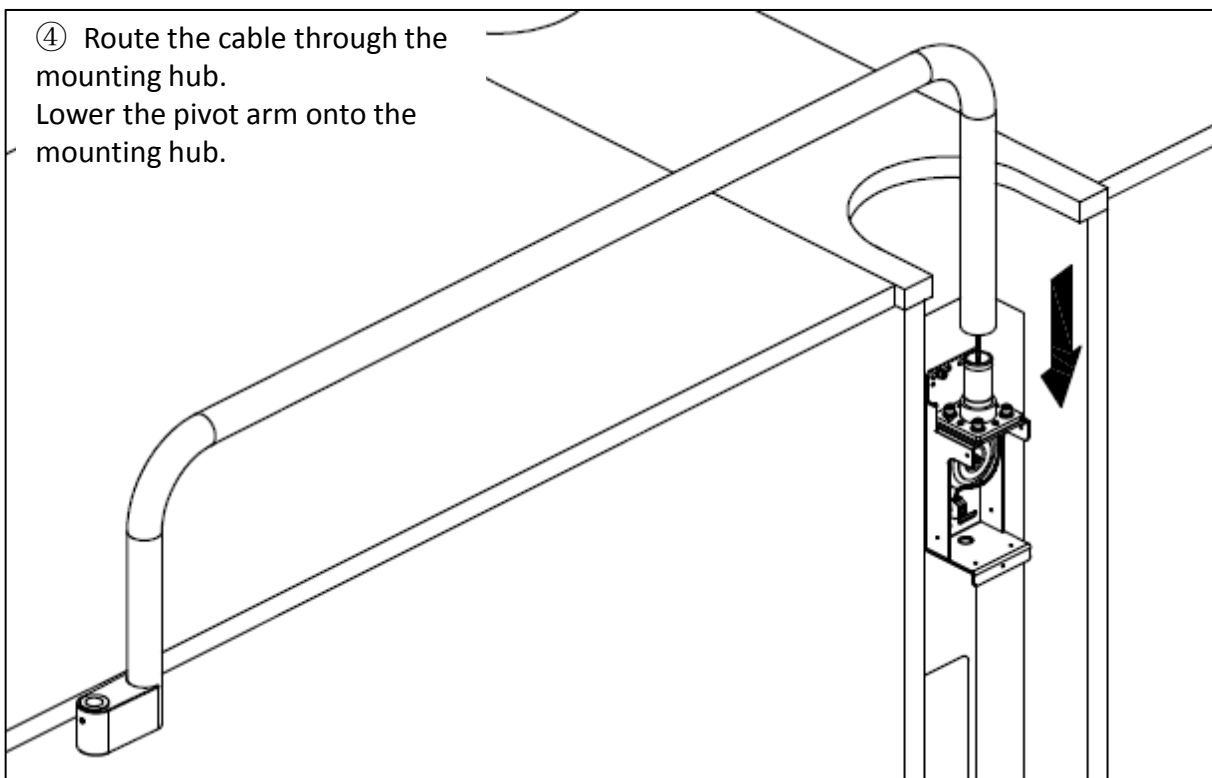


- ③ Make sure the power supply installation position, use four screws to mount the power supply.

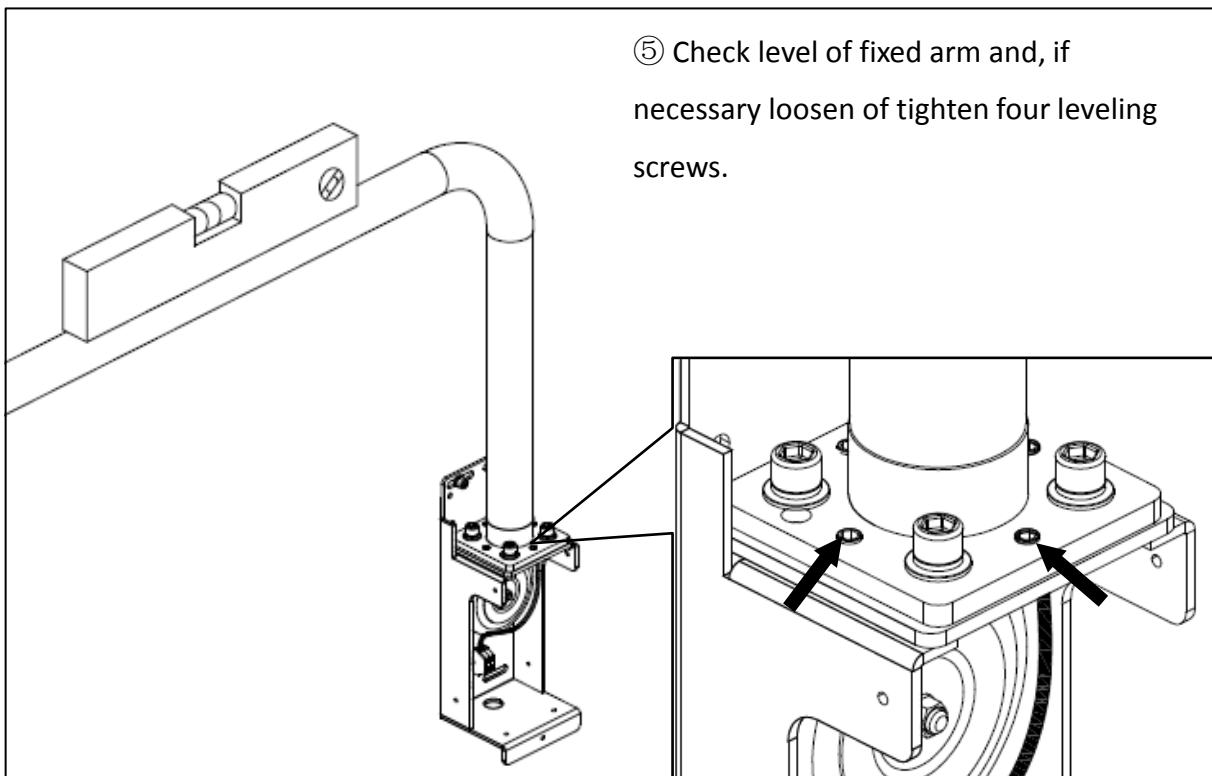


Dental Light On A Cabinet or Wall Installation Guide

- ④ Route the cable through the mounting hub. Lower the pivot arm onto the mounting hub.

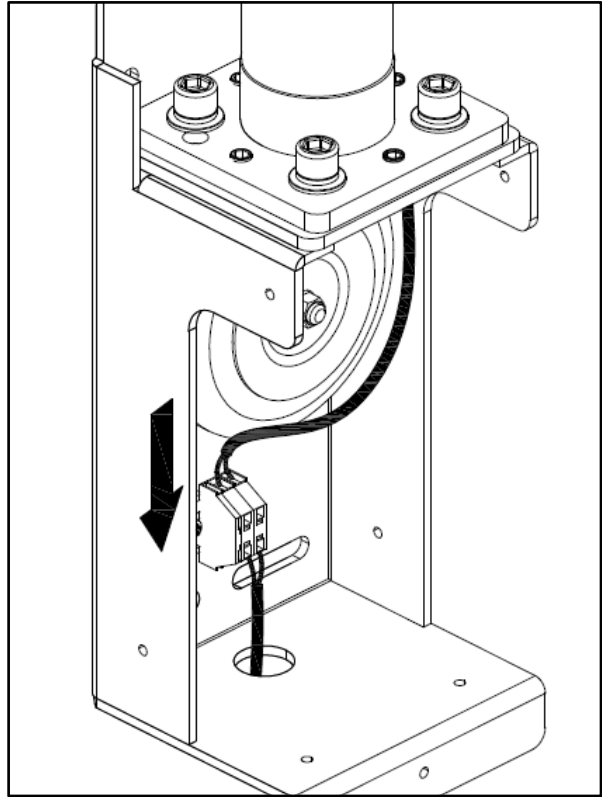


- ⑤ Check level of fixed arm and, if necessary loosen or tighten four leveling screws.



Dental Light On A Cabinet or Wall Installation Guide

- ⑥ Connect the wires to the positions on the adapter board as labeled; yellow wire connector with the yellow wire; Brown wire connector with the Brown wire.

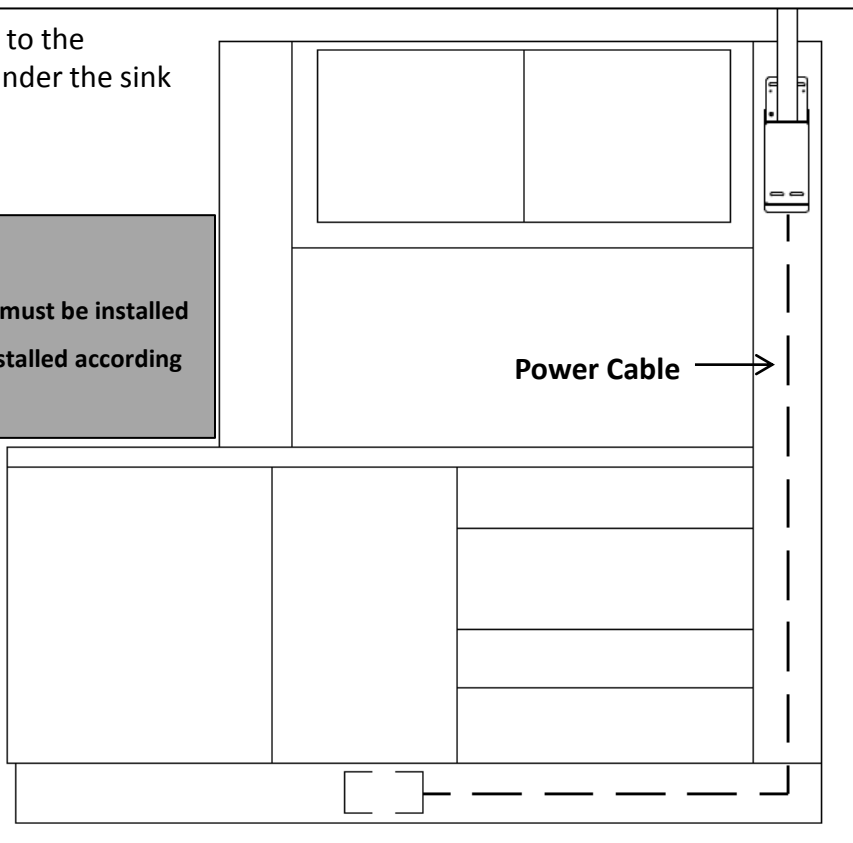


- ⑦ Route the power cable to the junction box located under the sink module.



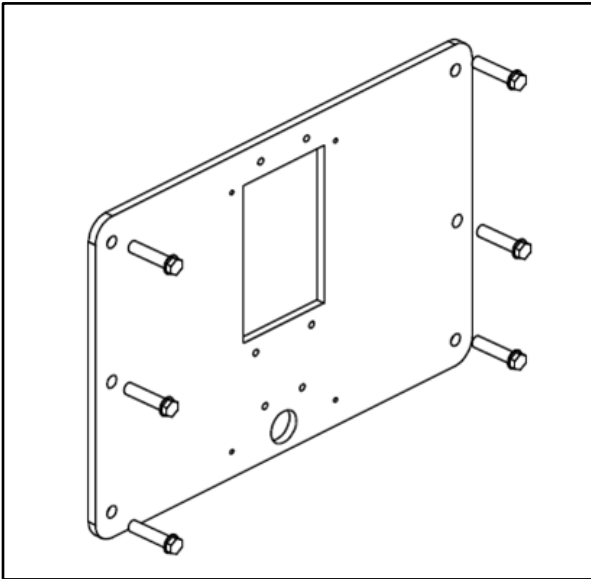
Caution:

Electrical junction box wiring must be installed by a licensed electrician and installed according to local building codes.

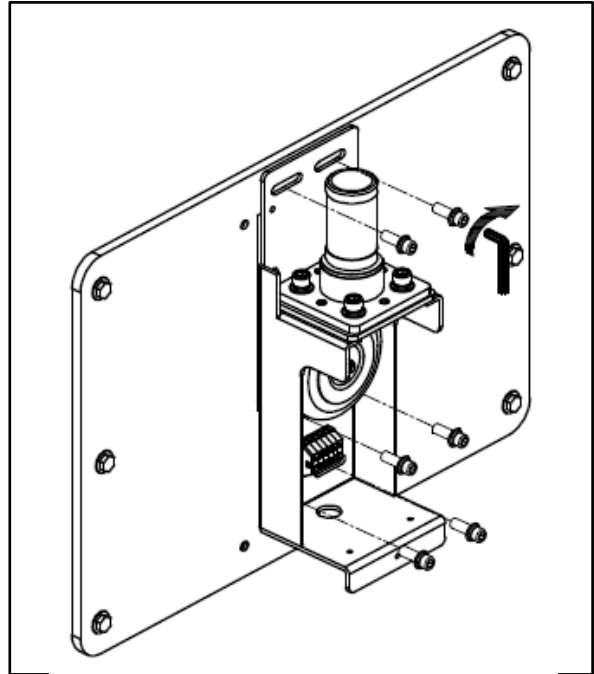


Dental Light On A Cabinet or Wall Installation Guide

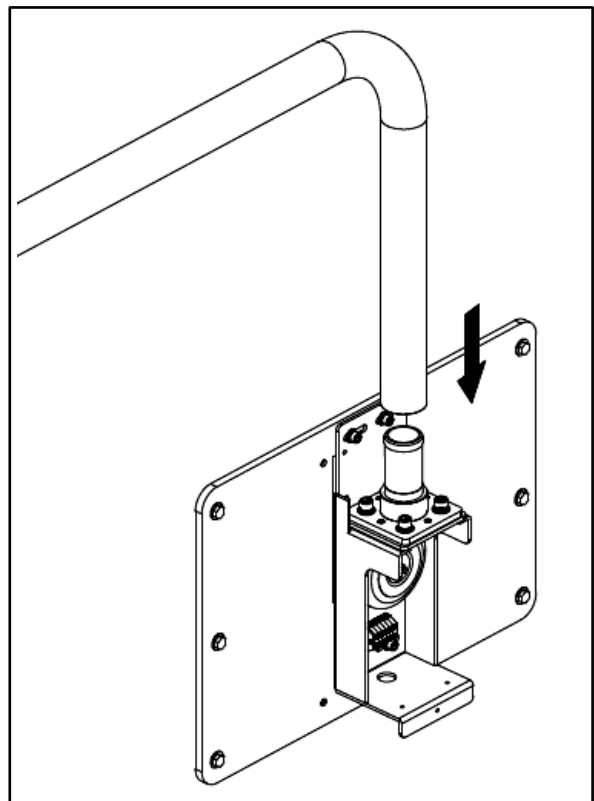
② Level the backboard and mark the mounting holes in each corner. Set the backboard aside. Drill a wide hole at each mark. Use four screws, flat washers, and flanged washers in each corner to mount the backboard.



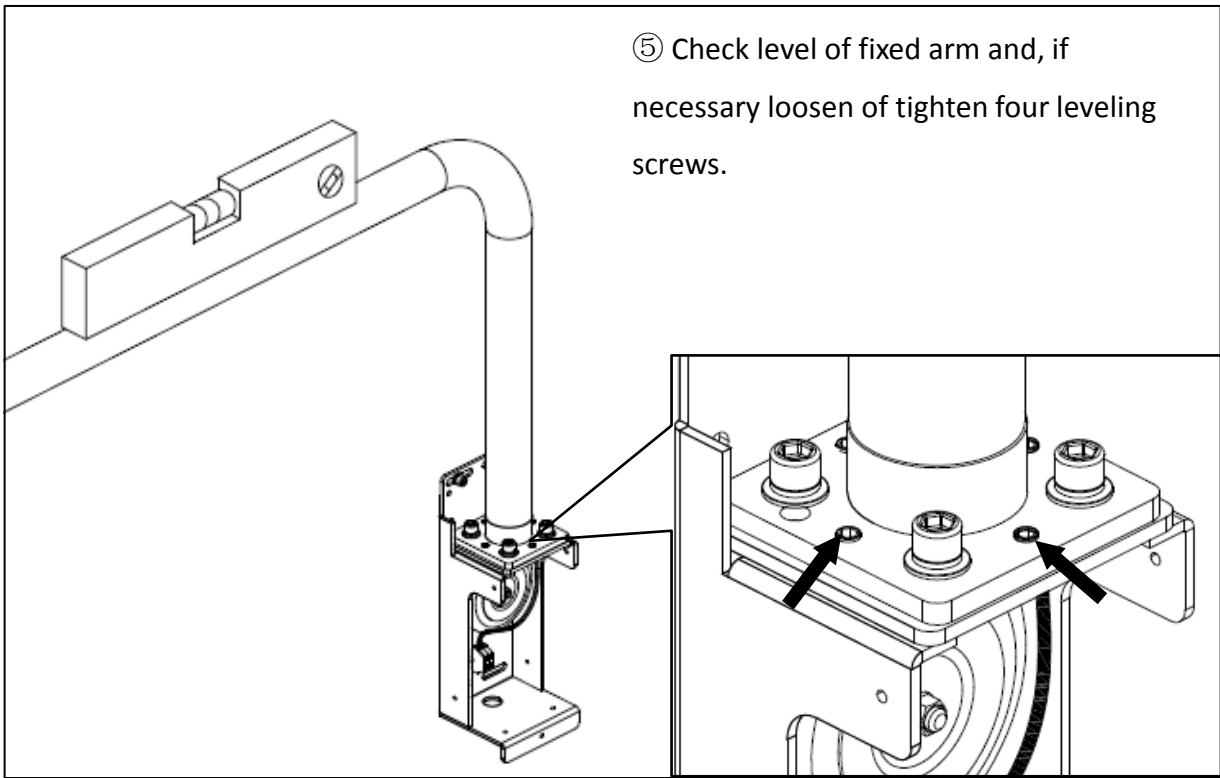
③ Use six screws to mount the power supply.



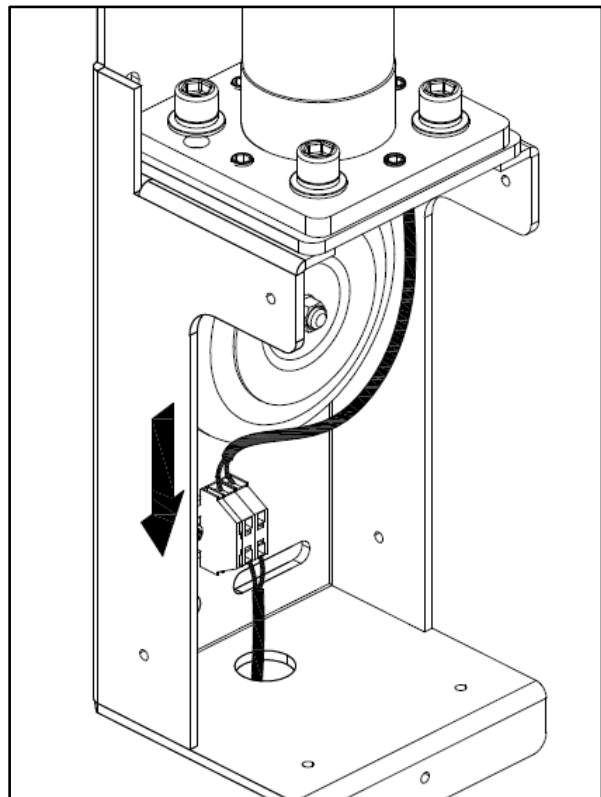
④ Route the cable through the mounting hub. Lower the pivot arm onto the mounting hub.



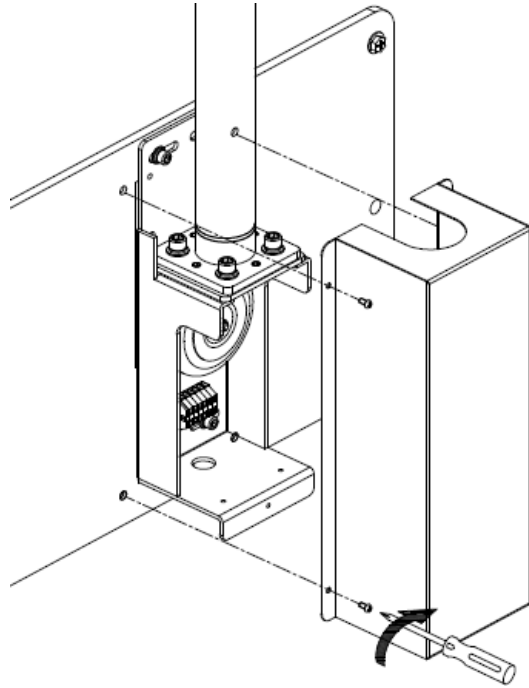
Dental Light On A Cabinet or Wall Installation Guide



⑥ Connect the wires to the positions on the adapter board as labeled; yellow wire connector with the yellow wire; Brown wire connector with the Brown wire.

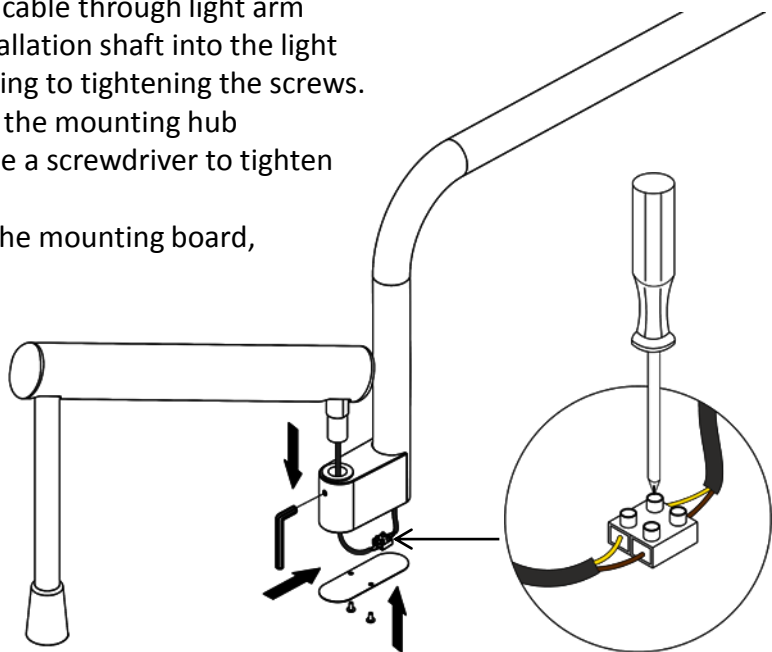


⑦ Use screws to tighten the power supply cover.



4.3

- Route the light balance arm cable through light arm mounting hub, insert the installation shaft into the light arm installation board, adjusting to tightening the screws.
- Route the light cable through the mounting hub according to the color, and use a screwdriver to tighten the mounting hub screws.
- Put the decoration cover on the mounting board, tightening the screws.



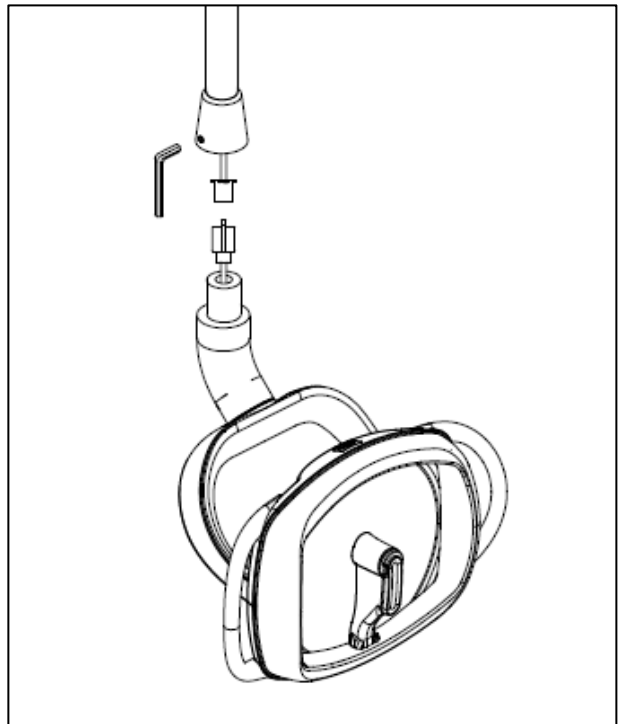
Dental Light On A Cabinet or Wall Installation Guide

4.4

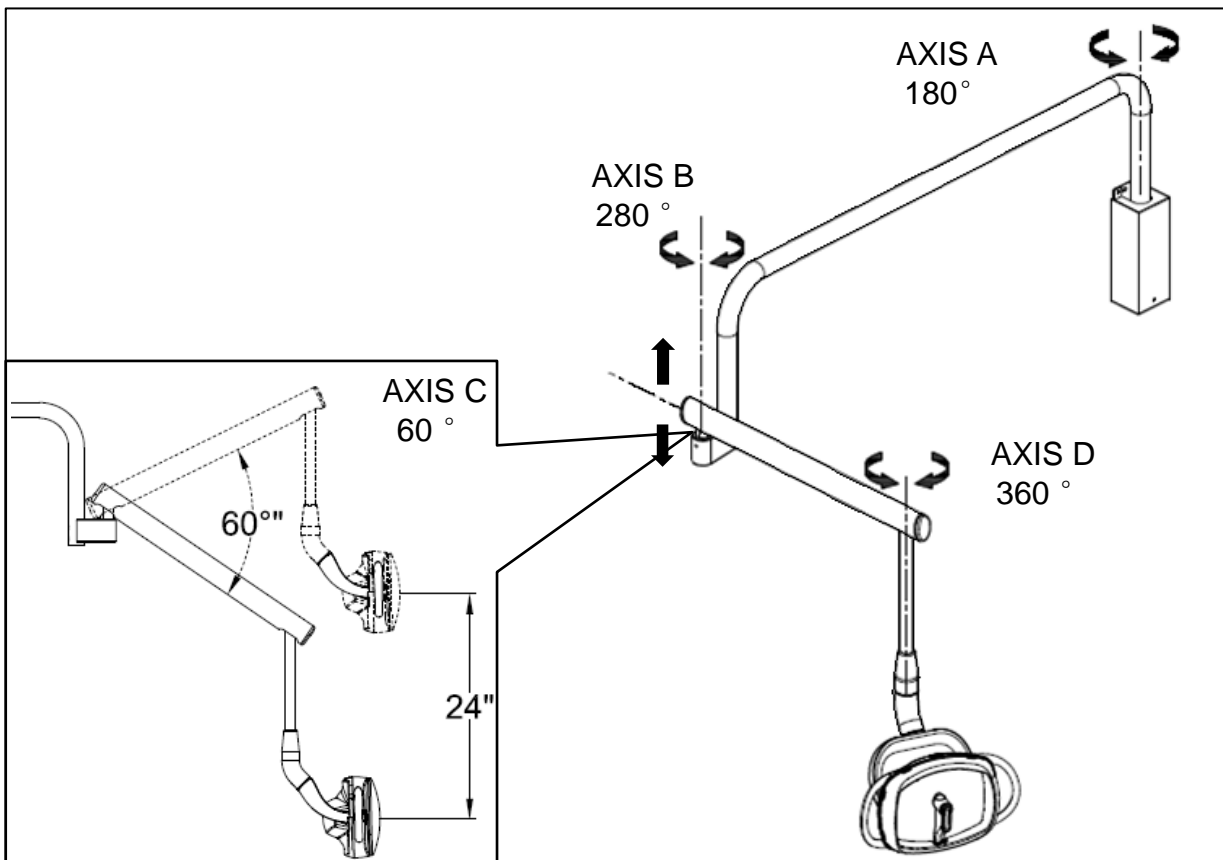
After inserting the dental mounting shaft into the mounting hole of the lamp arm, tighten the screw to move the position of the vertical level from the dental lamp to the optical cable terminal.

Caution:

Before tightening the screws, do not allow the connected light cable to bear the weight to avoid the light from being emitted.



5、 Product Use Float



We reserve the right to make any alterations which may be due to technical improvements.

ADS Dental System Inc.

Add: 1590 S MILLIKEN AVE, UNIT A, ONTARIO, CALIFORNIA, 91761, USA

Tel: (626) 620 0456

E-mail: ads@adsequip.com

<http://www.adsequip.com/>