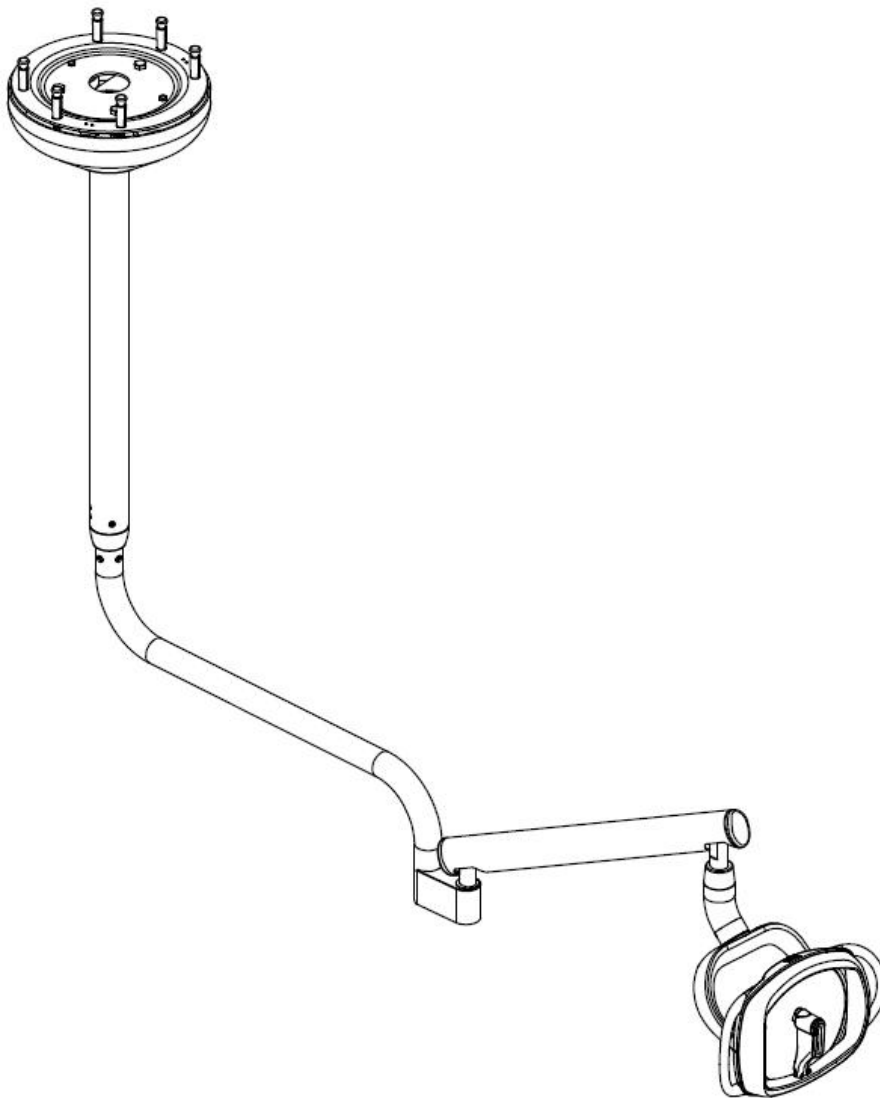




<http://www.adsequip.com/>

# Installation Manual of DL-2 Ceiling-mounted Dental Light



# CONTENTS

1. Attentions.....	1
2. Tools recommended.....	3
3. Compositions.....	4
4. Installation.....	6
4.1 Dimensions.....	6
4.2 Sequences.....	7
4.3 Levelness adjustment.....	12

## 1. Attentions





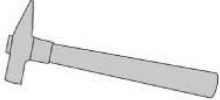
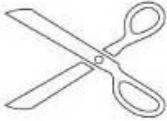
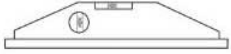





Clear all the debris in the room, and clean the ceiling thoroughly before installation. The mounting surface shall not have raised foreign matter.

**Before install the unit, please read the manual carefully:**

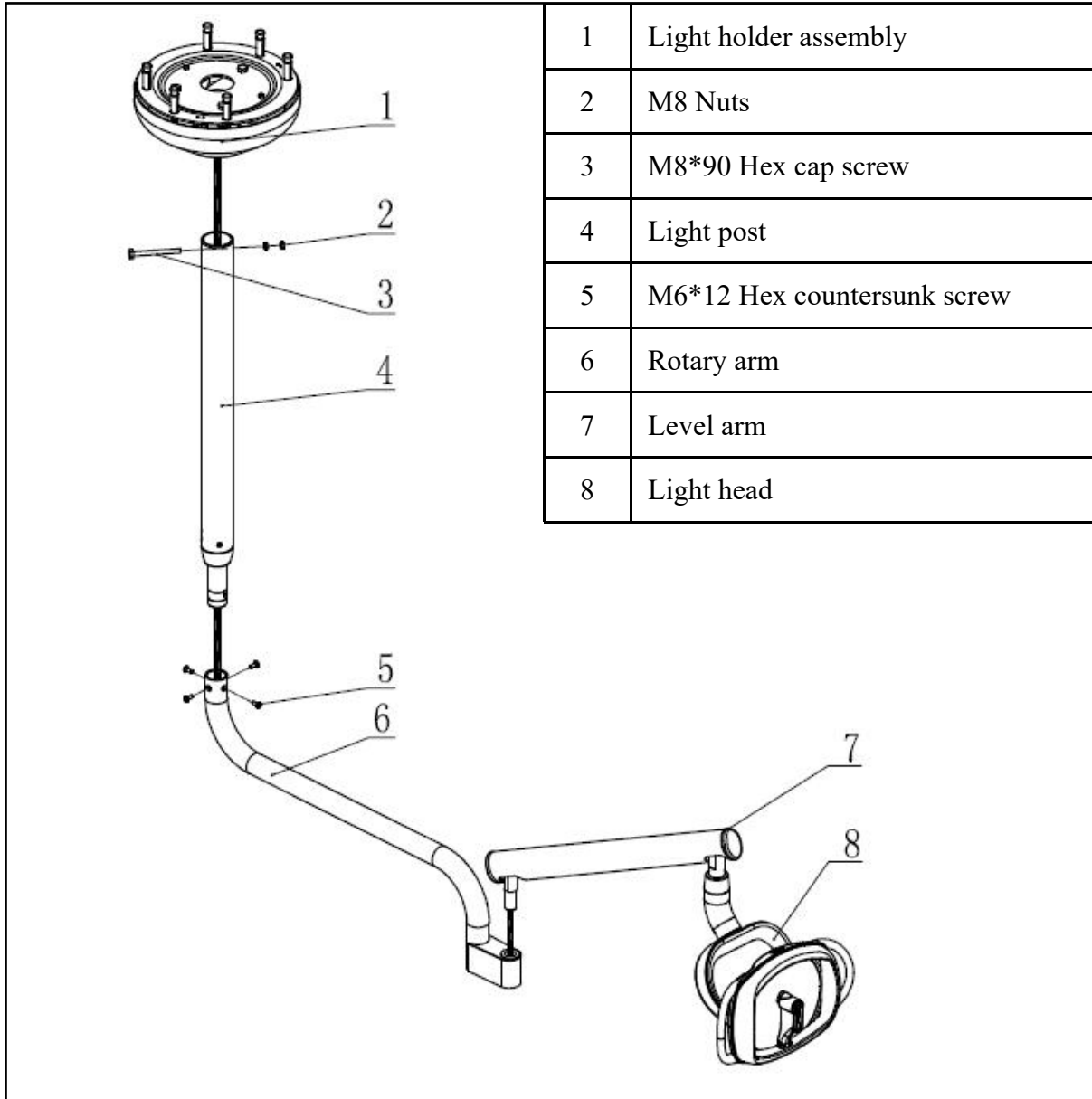
- . Input voltage AC110 V, 60 Hz.
- . All the electrical components and connections should be made by an authorized technician.
- . Only accessories recognized by ADS technician can be used.
- . The unit should not operate in the environment of high temperature, high humidity, vibration, flammability, unbalance, or dusty.
- . Only the authorized spare parts can be used in this device.
- . This unit should not come into contact with any object in its operational range of movement.
- . This unit can not be used in the environment of strong magnetic, electromagnetic.

## 2. Tools recommended

The tools and instruments need to prepare before installation.

	Electrical drill		Pincers
	Hammer		Scissors
	Leveling instrument		Flat-bladed Screw driver
	Phillip screw driver		Allen wrench
	Spanner		Hexagon socket wrench

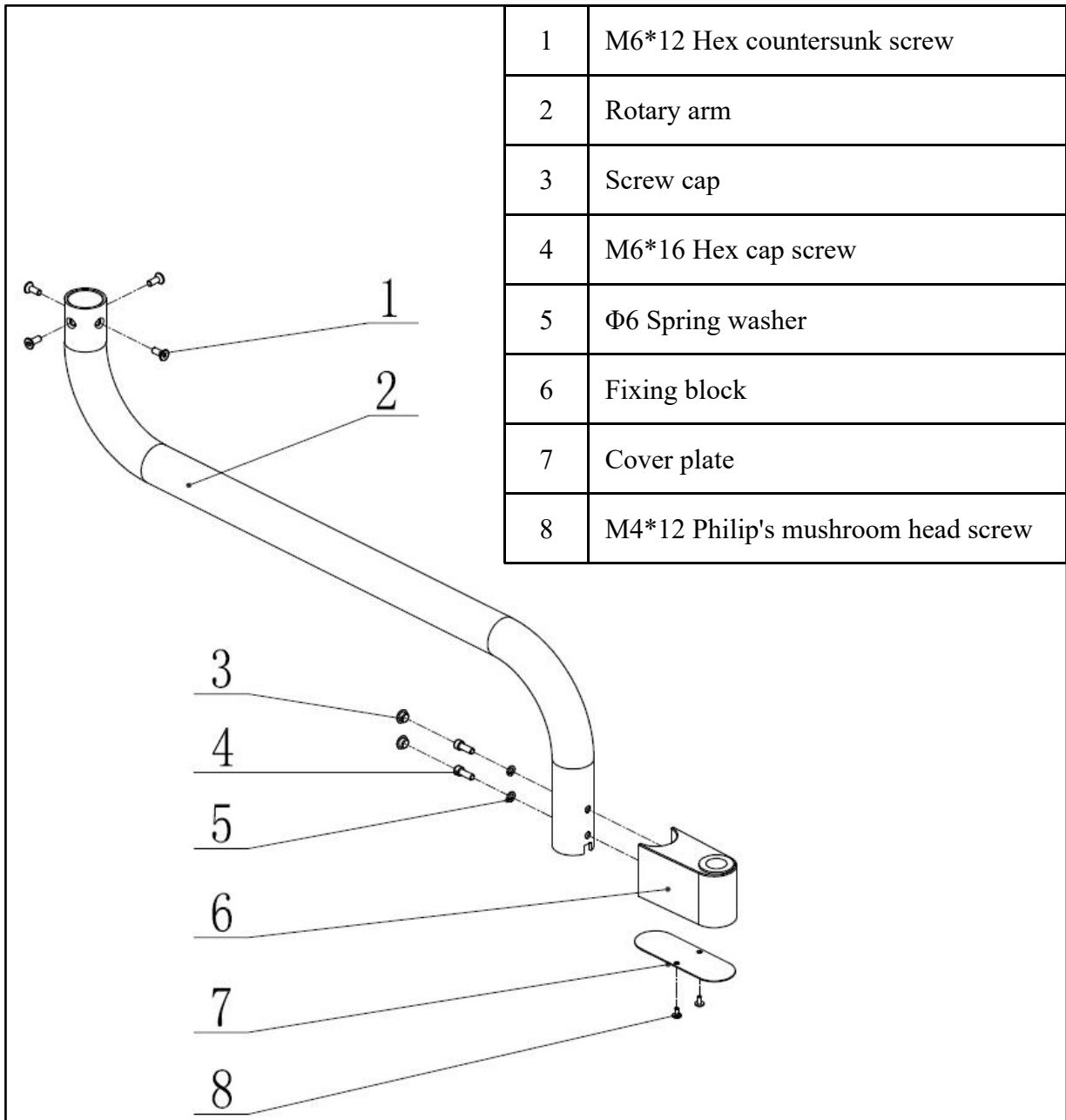
### 3. Compositions



# Installation Manual of DL-2 Ceiling-mounted Dental Light

	1	M10*90 Anchors
	2	M10*60 Outer hex screw
	3	M8*50 Outer hex screw
	4	Fixing plate
	5	M8 Nut
	6	24V 30VA Transformer
	7	Adjusting plate
	8	M10 Nut
	9	M8*90 Hex cap screw
	10	Light post
	11	Plate cover
	12	Rubber cosmetic ring
	13	M6*8 Hex set screw
	14	M4*16 Philip's pan head screw
	15	M5*6 Hex jackscrew
	16	Rotating shaft
	17	DL-2 Bushing
	18	HK3520 Needle bearing
	19	Connecting shaft
	20	M6*8 Hex set screw
	21	DL-2 Stop block
	22	2-Bit connector
	23	M3*12 Philip's pan head screw
	24	M6*16 Hex cap screw
	25	M8 Nut
	26	M5*8 Hex countersunk screw

# Installation Manual of DL-2 Ceiling-mounted Dental Light

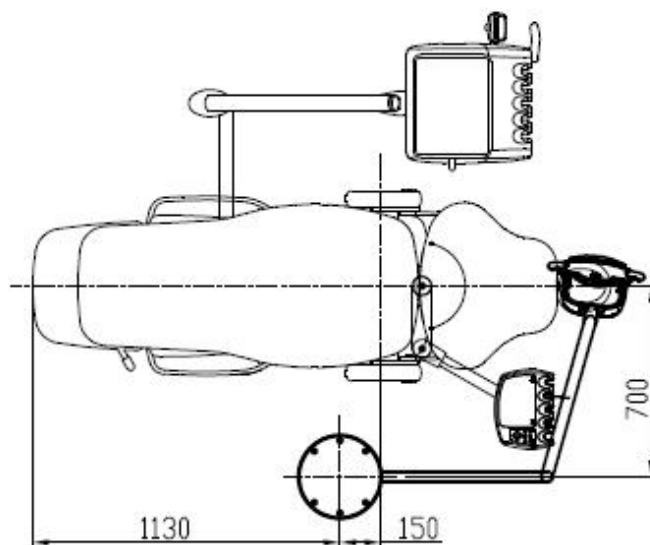
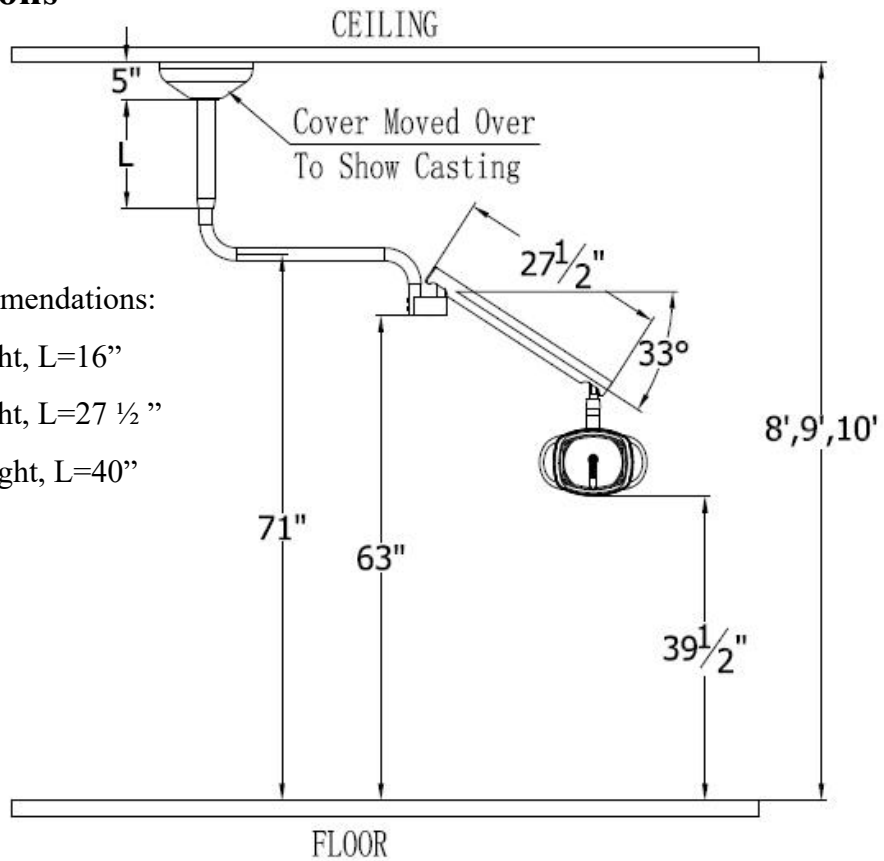


## 4 Installation

### 4.1 Dimensions

Unit: inches

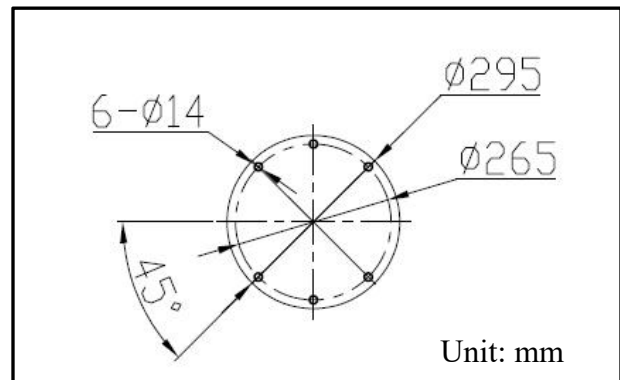
Post length recommendations:  
 8 Feet storey height, L=16"  
 9 Feet storey height, L=27 1/2"  
 10 Feet storey height, L=40"



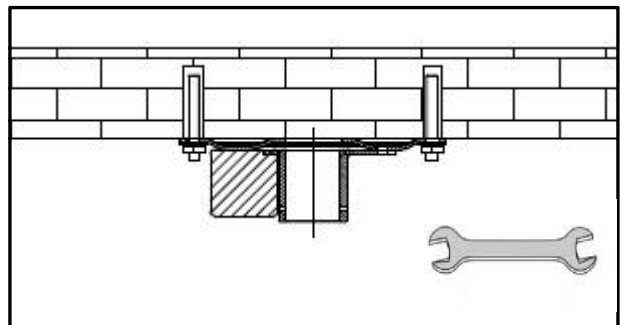


## 4.2 Sequences

1. Mark in your desire position on the ceiling with the fixing plate, drill six  $\phi 14$  holes by electrical drill.



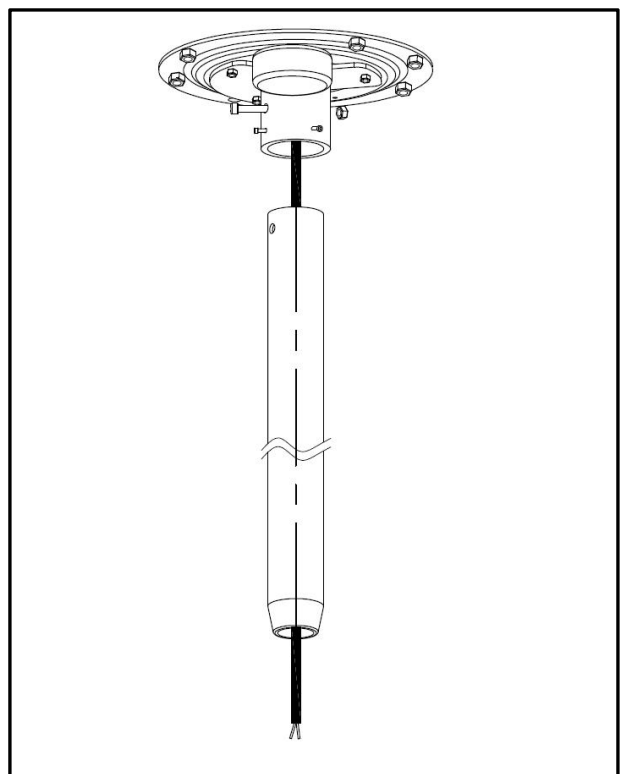
2. Mount the fixing plate to the ceiling with six M10\*90 anchors inserting to the ceiling, and completely fasten the anchors.



**Tools:**

Spanner 17#

3. Untie the power cord on the fixing plate, and pass the power cord through the light post.

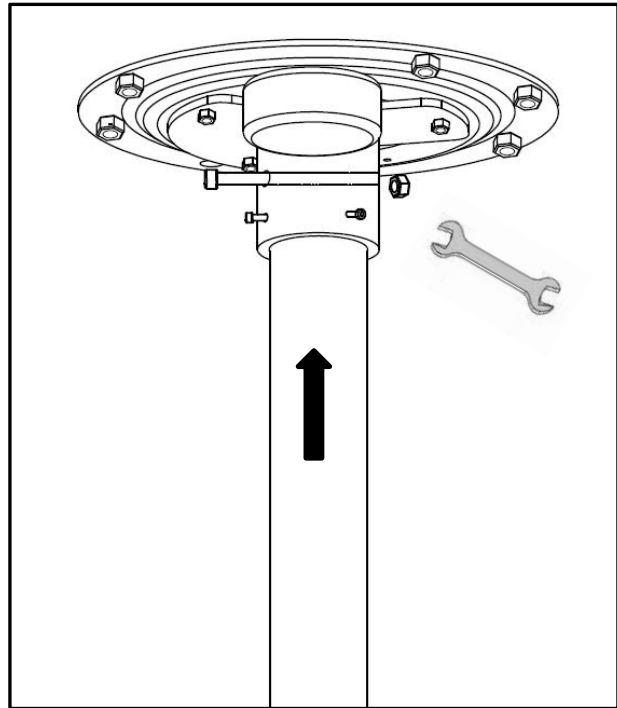


4. Loosen the M8\*90 hex cap screw to insert the light post to the fixing plate, then fasten the nut and four M6\*20 screws to fix the post.

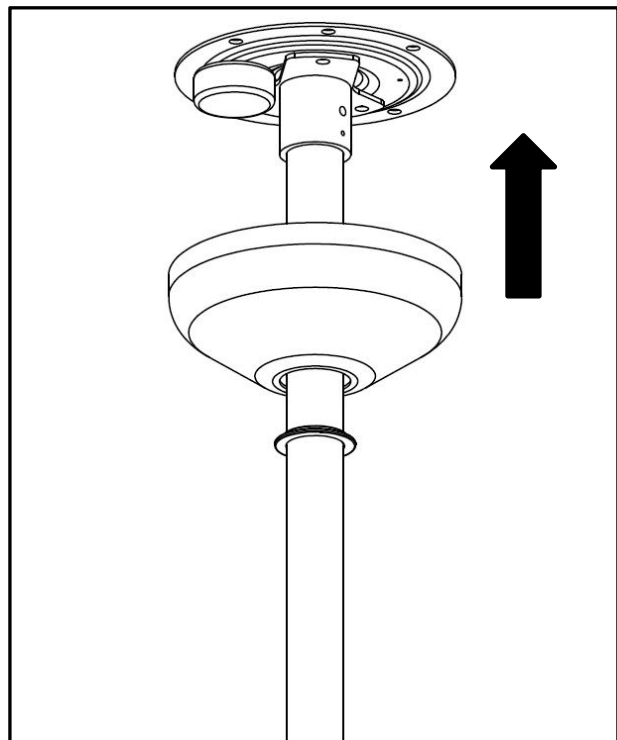
**Note: The four M6\*20 screws affects the perpendicularity of the light post.**

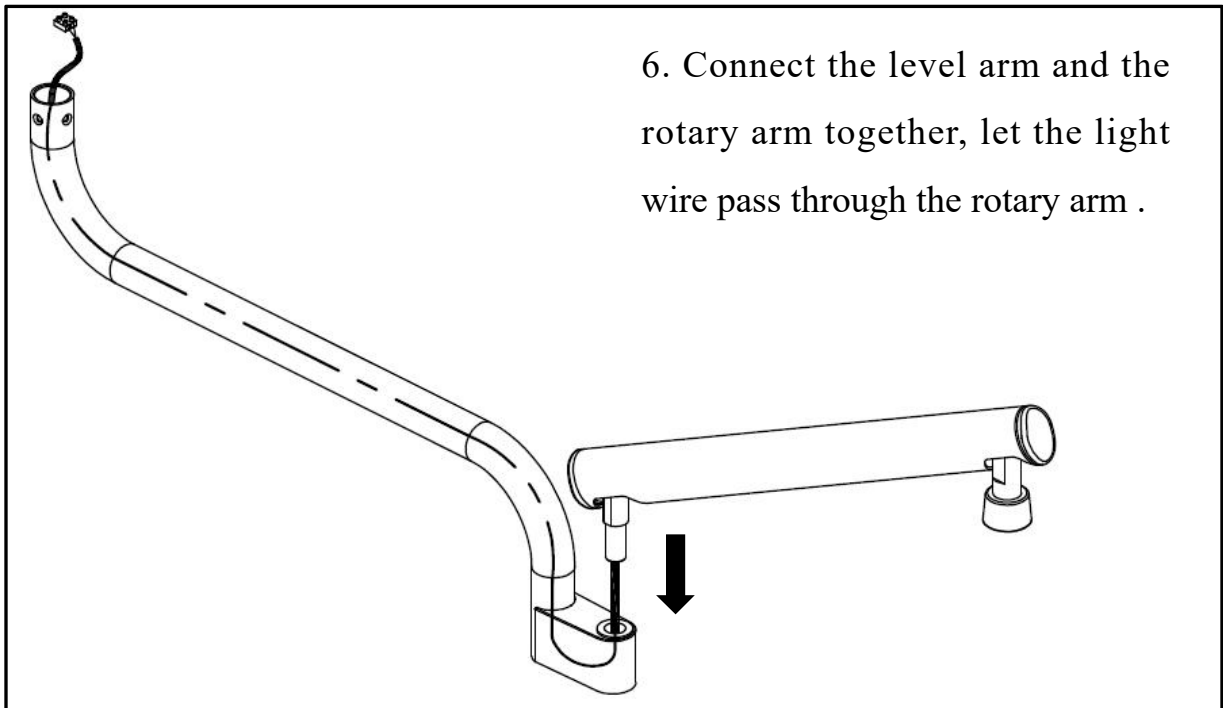
**Tools:**

Spanner 14#

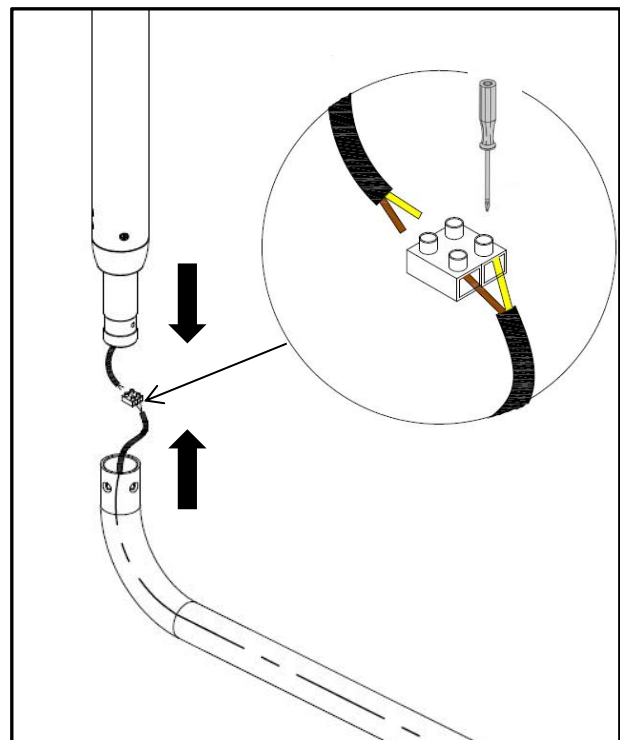


5. Mount the plate cover and the cosmetic ring.





7. Hold the arm assembly, connect the wire terminal of dental light .



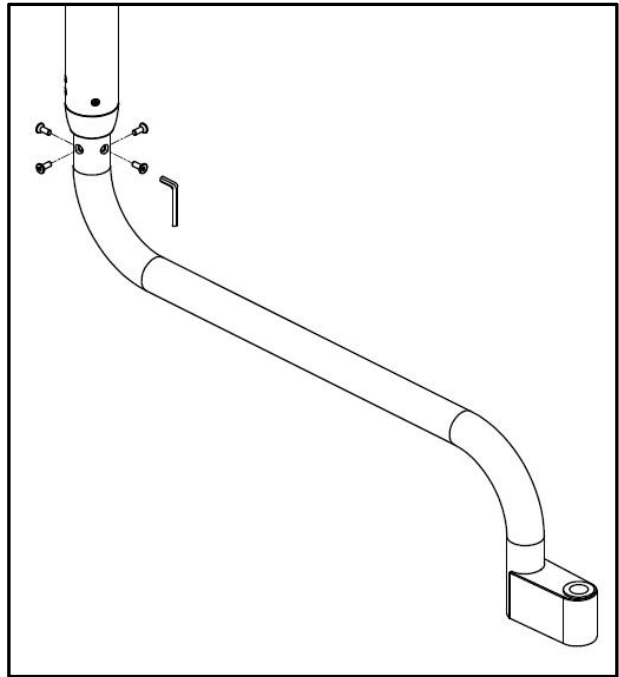
**Tools:**

Philip screw driver

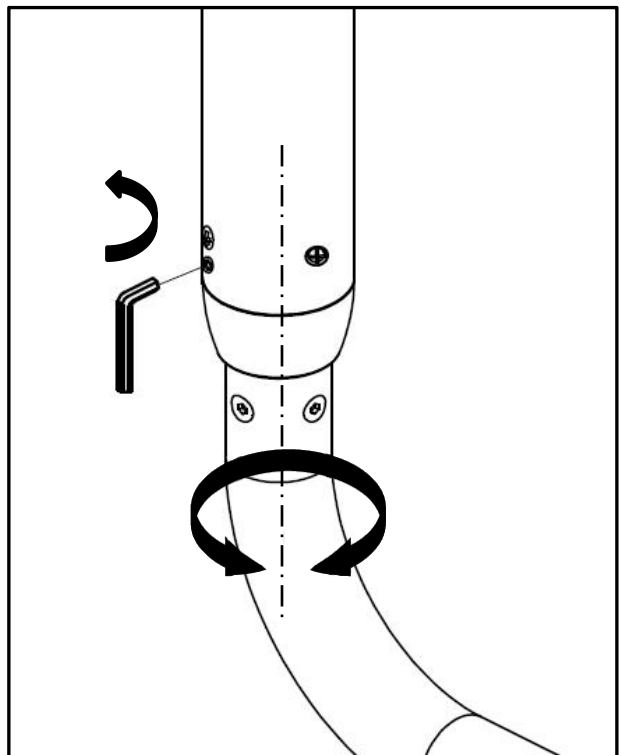
8. Connect the rotary arm and the light post, then fix with four M5\*8 hex countersunk screws.

**Tools:**

4mm Allen wrench



9. Change the tightness of the M6\*8 hex set screw to adjust the friction of rotary arm .

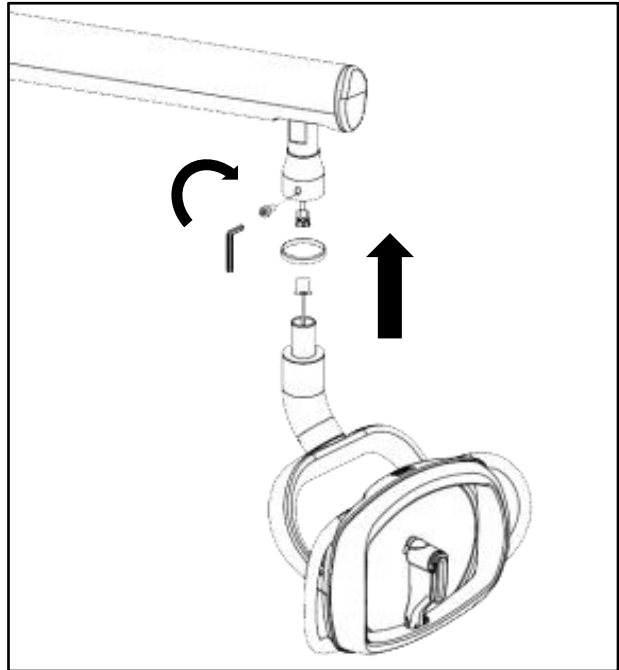


10. Pass the light head shaft through a cosmetic ring and connect the wire terminals, make sure the lamp shaft is well inserted into the level arm, fully fasten with a M5\*12 screw.

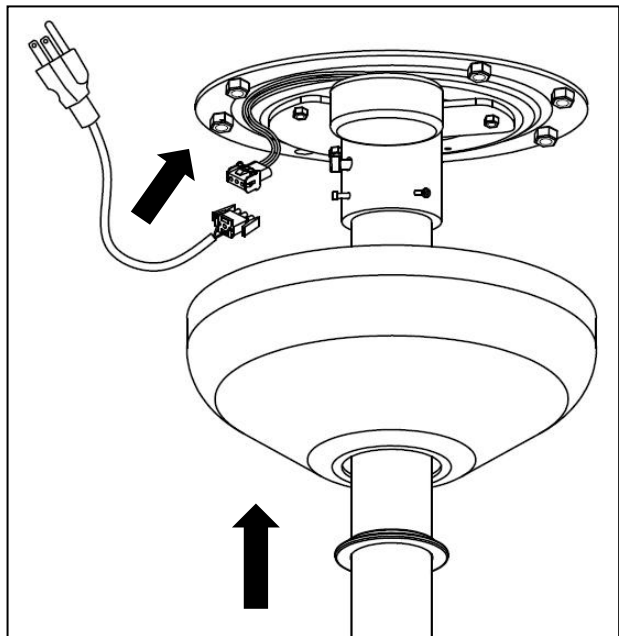
**Note: Before tighten the screw, please hold the light head to avoid falling.**

**Tools:**

4mm Allen wrench

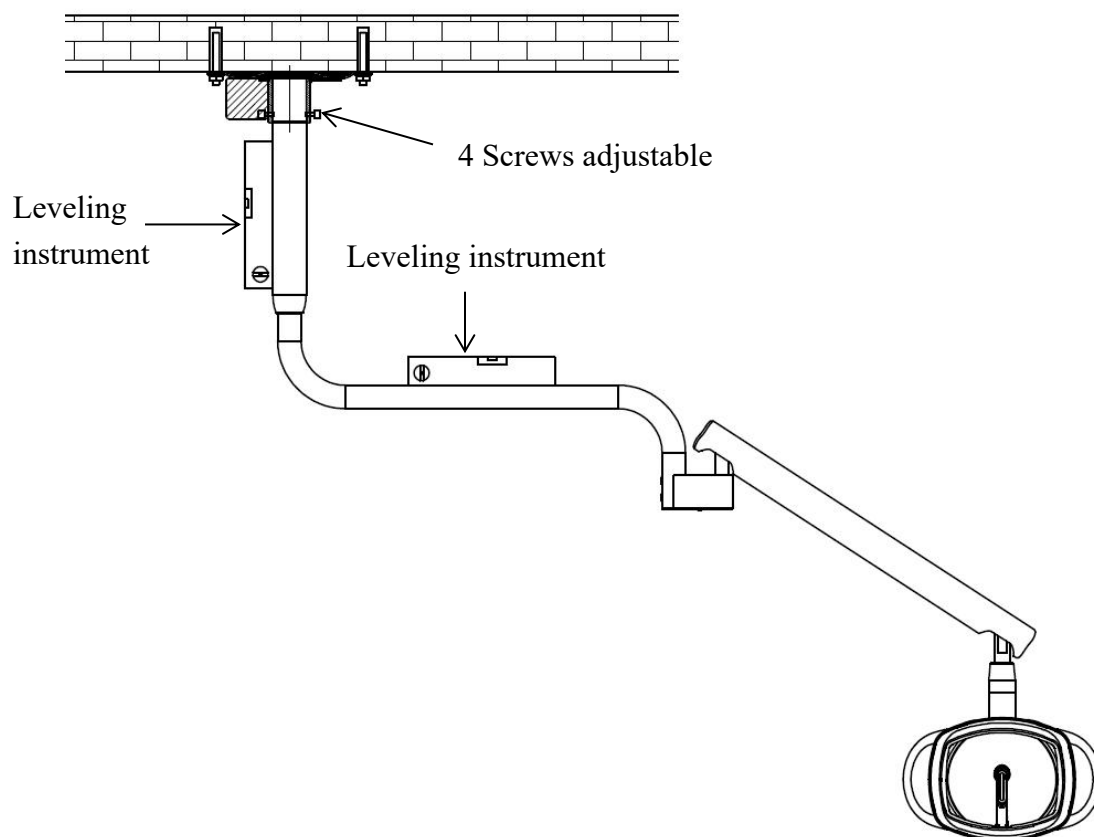


11. Connect the power cord, turn on the power to energized the light. Mount the plate cover.



## 4.3 Levelness adjustment

Adjust the levelness of the entire unit with leveling instrument.



We reserve the right to make any alterations which may be due to technical improvements.



710422

## ADS Dental System Inc.

---

Add: 1590 S Milliken Ave., unit A, Ontario, CA 91761

Tel: (626) 620 0456

E-mail: [ads@adsequip.com](mailto:ads@adsequip.com)

<https://www.adsdental.com/>