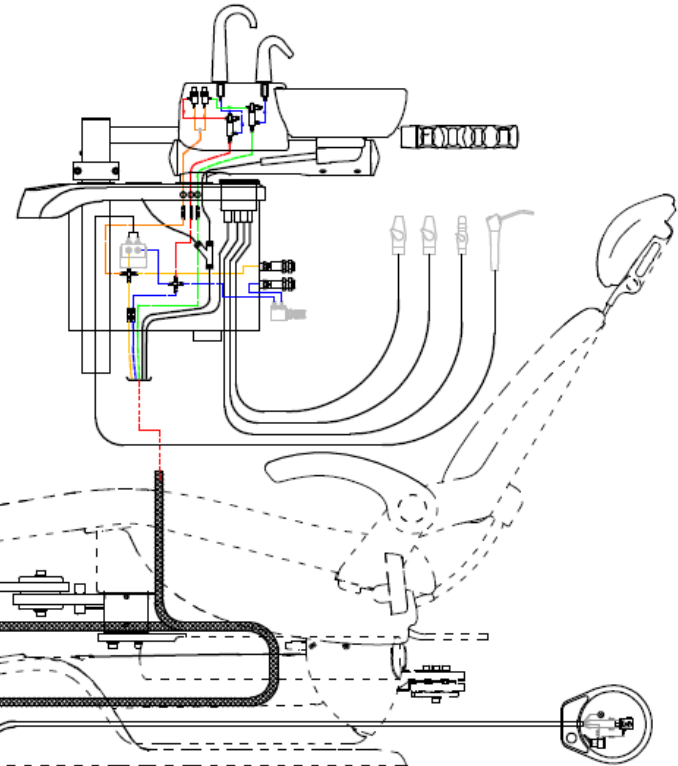
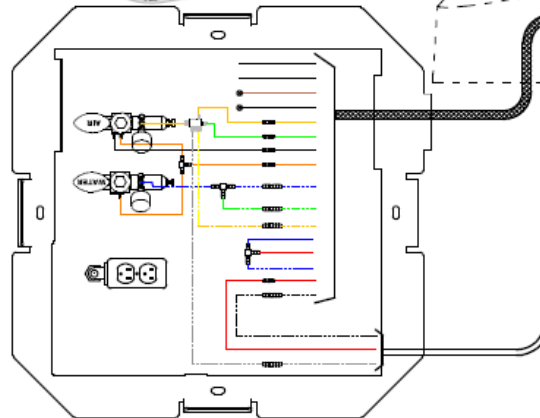
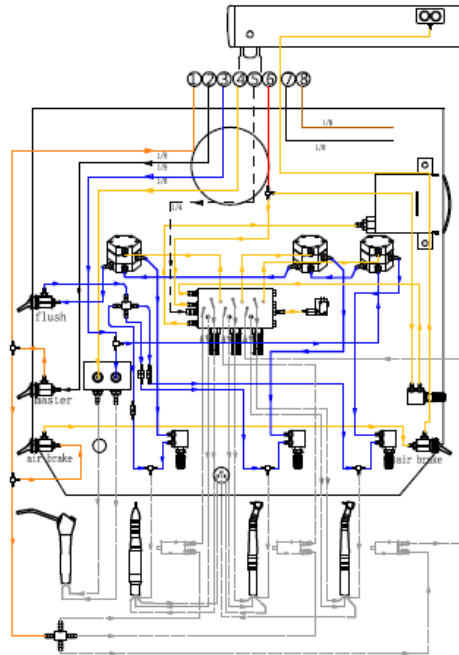
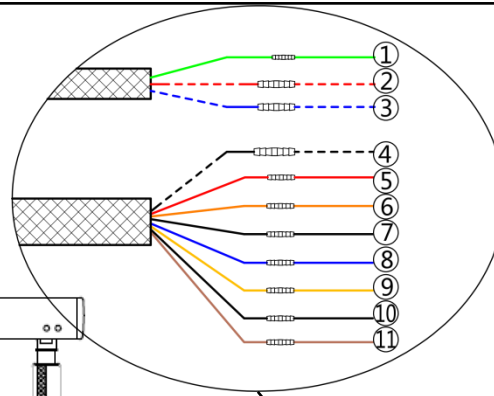


# Installation Manual of Classic201 Delivery System

## 7. Water & Air diagrams

Figure 49 Water & Air diagrams

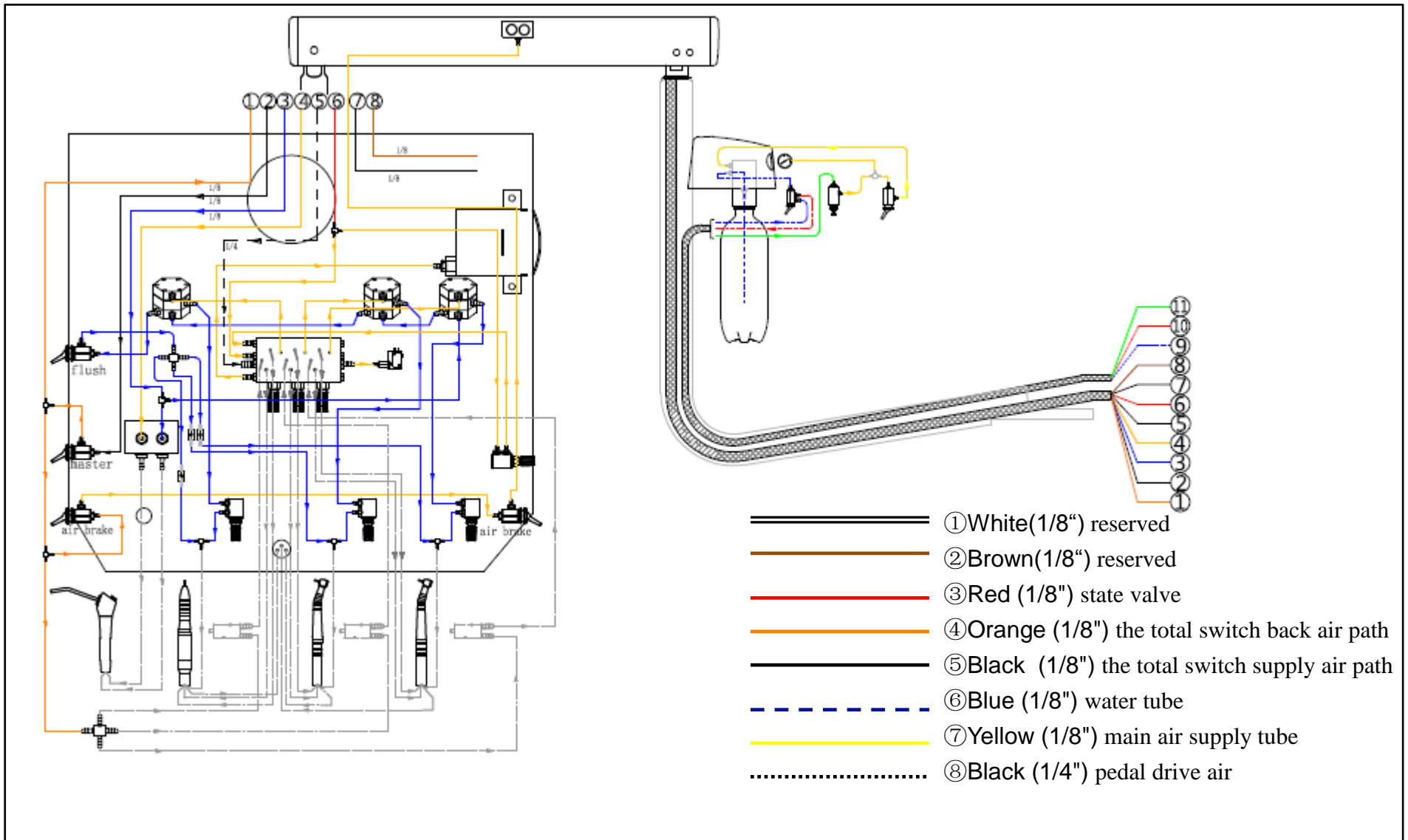
1. 1/8" Green, connect to water bottle
2. 1/4" Red, connect to water bottle
3. 1/4" Blue, connect to water bottle
4. 1/4" Black, connect to delivery head
5. 1/8" Red, onnect to delivery head



6. 1/8" Orange, onnect to delivery head
7. 1/8" Black, onnect to delivery head
8. 1/8" Blue, onnect to delivery head
9. 1/8" Yellow, onnect to delivery head
10. 1/8" White, onnect to delivery head
11. 1/8" Brown , onnect to delivery head

# Installation Manual of Classic201 Delivery System

**Figure 50 Water & air diagrams of Classic201 (delivery head)**



# Installation Manual of Classic201 Delivery System

**Figure 51 Water & air diagrams of Classic201 (water unit)**

- 3. 1/8" yellow, connect to delivery system
- 4. 1/8" green, connect to delivery system
- 5. 1/8" black, connect to delivery system
- 6. 1/8" orange, connect to delivery system
- 7. 1/4" blue, connect to side box
- 8. 1/4" green, connect to side box
- 9. 1/4" Yellow, connect to side box
- 10. Drainage pipe, connect to cuspidor
- 11. Drainage pipe, connect to filter
- A. Pipe for foot control

